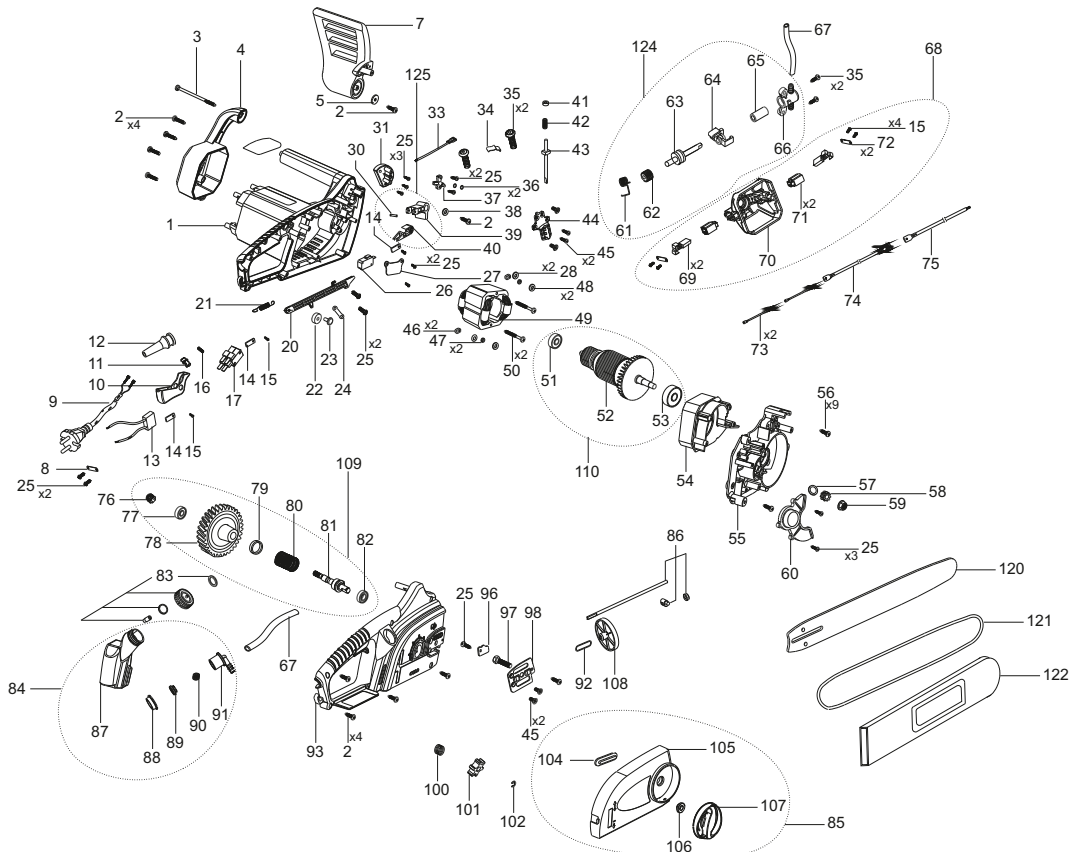


POS. No.	Ref.No.	Description
----------	---------	-------------

POS. No.	Ref.No.	Description
----------	---------	-------------

- 1 186484 LEFT HOUSING
- 2 186418 SELF-TAPPING SCREW 5X16
- 3 186486 BACK COVER SCREW 5X13
- 4 186485 MOTOR BACK COVER
- 5 186482 WASHER
- 7 186483 PREVENTER PLATE
- 8 186489 CABLE CLAMP
- 9 186488 POWER LINE
- 10 186492 SWITCH BUTTON
- 11 186493 LOCK-OFF BUTTON
- 12 186487 CABLE SLEEVE
- 13 186490 CAPACITANCE
- 14 186491 CLAMP
- 15 186472 SELF-TAPPING SCREW 3X8
- 16 186494 LOCK-OFF BUTTON SPRING
- 17 186495 SWITCH
- 20 186497 PUSH ROD
- 21 186496 BACK-MOVING SPRING
- 22 186498 PULLEY/
- 23 186499 ROLLER PIN
- 24 186500 PUSH ROD CLAMP
- 25 186431 SELF-TAPPING SCREW 4X12
- 26 186501 SWITCH
- 27 186502 BRAKE BAR CLAMP
- 28 186461 WASHER
- 30 186505 ROUND PIN
- 31 186481 OIL JOINT SUPPORT
- 33 186480 CONNECTING WIRE
- 34 186479 SPRING LAMINATION
- 35 186473 FLANGE FACE SELF- TAPPING SCREW 3X12/
- 36 186509 RUBBER BAND
- 37 186508 OIL-OUT PLINTH
- 38 186507 WASHER
- 39 186506 CONNECTING ROD
- 40 186504 FRONT PUSH ROD
- 41 186478 WASHER
- 42 186477 BRAKE ROD SPRING
- 43 186476 BRAKE BAR
- 44 186475 BRAKE BAR RETAINING PLATE
- 45 186432 SUNK SCREW 4X12
- 46 186462 HEX NUT
- 47 186460 SPRING WASHER
- 48 186459 WASHER
- 49 186463 STATOR
- 50 186458 STATOR SCREW
- 51 186457 627Z REAR BEARING
- 52 186456 ROTOR
- 53 186455 6000Z FRONT BEARING
- 54 186454 WIND SCREEN
- 55 186453 FACING BAR
- 56 186452 SELF-TAPPING SCREW 4X16
- 57 186451 MOTOR GEAR WHEEL BUSHING
- 58 186450 MOTOR GEAR WHEEL

- 59 186449 HEXAGON SPECIAL NUT
- 60 186447 DUST COVER
- 61 186641 OIL PUMP TENSION SPRING
- 62 186640 TURBINE GEAR
- 63 186639 WORM GEAR
- 64 186638 PLUNGER SUPPORT
- 65 186637 PISTON SLEEVE
- 66 186636 OIL PUMP MAIN BODY
- 67 186421 HYALINE OIL TUBE
- 68 186467 MOTOR SUPPORT ASSY'
- 69 186470 BRUSH CARBON
- 70 186468 MOTOR REAR SUPPORT
- 71 186469 BRUSH HOLDER
- 72 186471 BRUSH CLAMP
- 73 186464 CONNECTING WIRE
- 74 186465 CONNECTING WIRE
- 75 186466 CONNECTING WIRE
- 76 186443 SELF-LOCKING NUT
- 77 186442 608Z REAR BEARING
- 78 186441 OUTPUT SHAFT GEAR
- 79 186440 SHAFT SLEEVE
- 80 186439 BRAKING TORSIONAL SPRING
- 81 186438 OUTPUT SHAFT
- 82 186437 61800-2Z bearing
- 83 186427 OIL TANK COVER ASSY'
- 84 186420 OIL BOX ASSY'
- 85 186414 COMPACT KNOB ASSY'
- 86 186428 ADJUST SCREW ROD ASSY'
- 87 186426 OIL TANK
- 88 186425 OIL TANK RUBBER JOINTS
- 89 186424 OIL TANK CONTACTING END CAP
- 90 186423 SPONGE
- 91 186422 OIL BOX CONTACTING
- 92 186430 OUTPUT OIL SEAL RING
- 93 186419 RIGHT HOUSING
- 96 186435 CLAMP
- 97 186434 DOUBLE-SCREW BOLT
- 98 186433 HEAT INSULATION GASKET
- 100 186417 TENSIONING SPRING
- 101 186416 SPROCKET
- 102 186415 E-CIRCLIP/8CE-07B
- 104 186407 END CAP SEAL RING
- 105 186406 ADJUST END CAP
- 106 186405 SHAFT SLEEVE
- 107 186404 LOCKING KNOB
- 108 186429 ADJUSTING RING
- 109 186436 OUTPUT SHAFT ASSEMBLY
- 110 186448 MOTOR ASSY'
- 120 186446 BAR
- 121 186445 CHAIN
- 122 186444 BLADE COVER
- 124 186474 OIL PUMP ASSY'
- 125 186503 FRONT PUSH ROD ASSY'



186631

186630